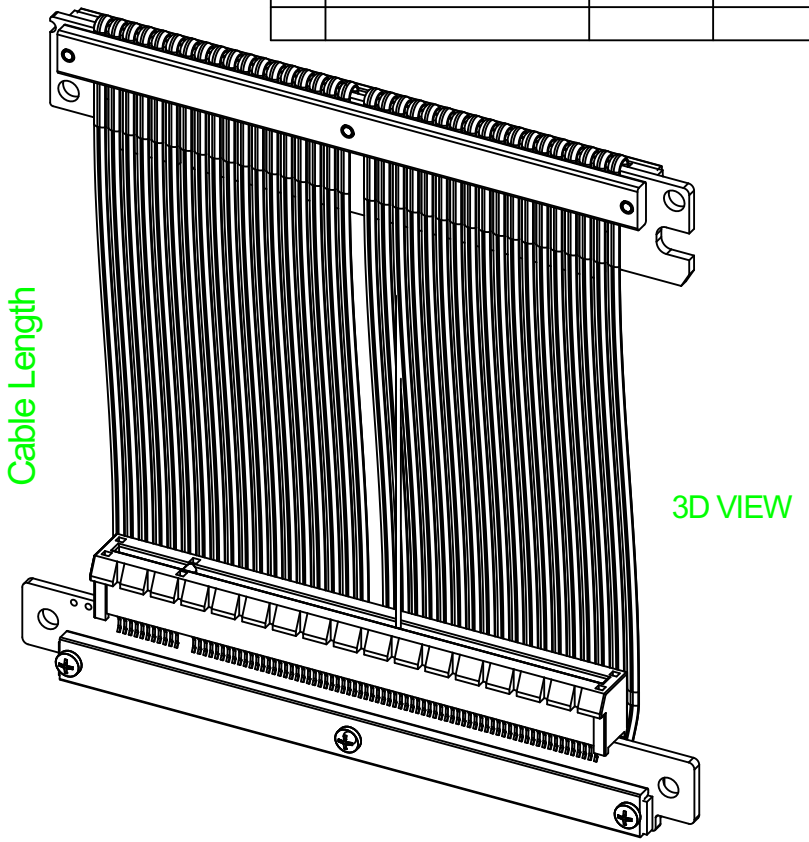
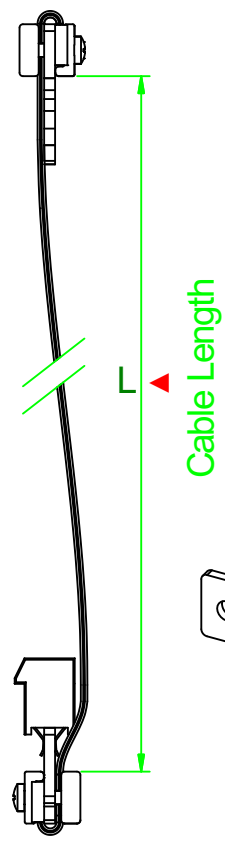
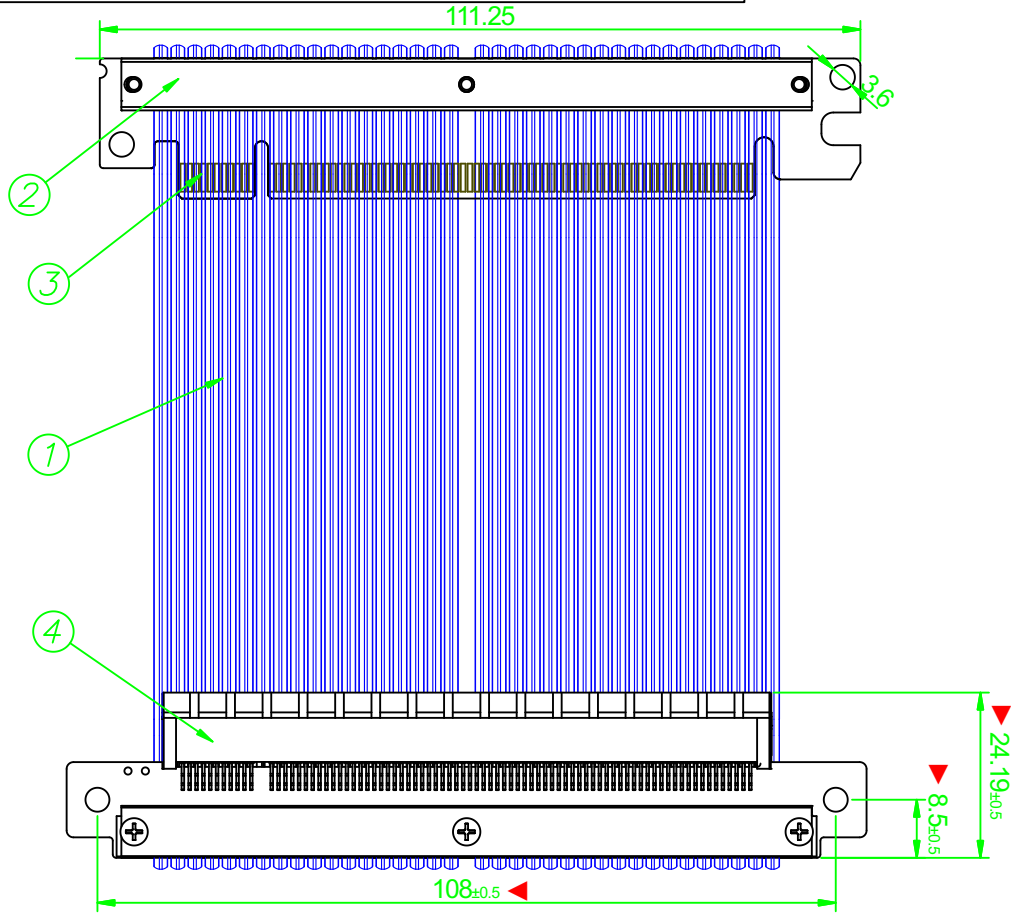


PROPRIETARY AND CONFIDENTIAL
 THE INFORMATION CONTAINED IN THIS DRAWING IS THE SOLE PROPERTY OF ADT-LINK ANY
 REPRODUCTION IN PART OR AS A WHOLE WITHOUT THE WRITTEN PERMISSION OF ADT-LINK IS PROHIBITED

版本 REV	变更内容 DESCRIPTION	变更号 ECN No.	日期 DATE
1.0	ISSUE	REL	2025-Jan.-09



FEATURES:
 PCIe x16 extension riser cable
 Specification: PCIe x16 164p

PHYSICAL PROPERTIES:
 Operation Temp. Range: -20°C to 80°C
 PAIR Cable Flammability rating: FT2

ELECTRONIC CHARACTERISTICS:
 Min. Insulation DC Resistance (Mohm.km): 10
 Dielectric Strength (kV/min): 0.50
 Max. DC Resistance at 20oC (ohm/km): 376
 Impedance(Ω) TDR: 100±5(differential)
 Delay skew(ps/m) Intra: <=15
 Attenuation(dB/m) Min.: -5.0(0.01~4.5GHz)
 -8.7(4.5~9.0GHz) -10.7(9.0~12.0GHz)
 (Test length 3 meters)



NOTE
 1.100% OPEN/SHORT TEST.
 2.DIMSION MARK "▼" BY QC CHECK.

M33JK-TU-15cm	150±5
M33JK-TU-18cm	180±10
M33JK-TU-20cm	200±10
M33JK-TU-30cm	300±10
Part-Number	Length (mm)

ADT-LINK

TITLE: PCIe x16 Extension Flat Cable (Male to Female)		DWG NO.: ADT-M33JK-TU-001	
		CUSTOMER NO. : M33JK-TU-xxxxcm	
		CUSTOMER P/N: M33JK-TU	

5			
4	Connector	PCIe X16 164PIN Straddle Mount,Black Connector	1Pcs
3	Edge PCB	PCIe X16 CARD EDGE PCB, Black,ON GOLD FINGER, UL 94V-0	1Pcs
2	PAD	Aluminum 3mm PCB PAD	4Pcs
1	CABLE	14.5*0.96mm 30AWG*6PAIR CABLE, DIFF 100 Ohm,Black	6Pcs
No.	PART NO.	DESCRIPTION	Q'TY

DRAWING/制图 <i>Dane</i>	SCALE	UNIT	CUS REV.	ADT REV.	DATE	SHEET
	NONE	mm	1.0	1.0	2025-Jan.-09	1/1
CHECKED/审核			APPROVED/核准			